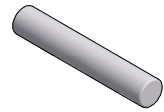


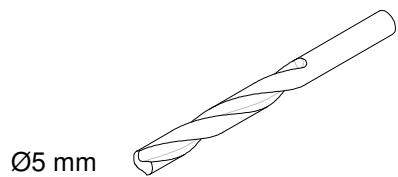
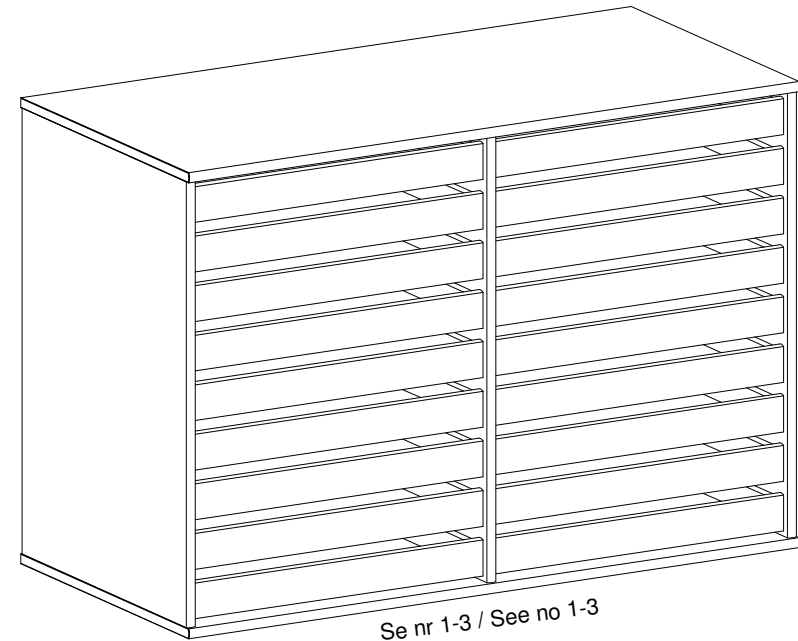
M33 #01/21/41/106



F1 x 18
(6200085)

(Skal kun anvendes i tilfælde af, at bakkerne monteres i begge sider overfor hinanden).

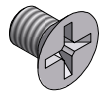
(Use only when tray's are mounted in both sides of the cabinet beside each other).



Ø5 mm



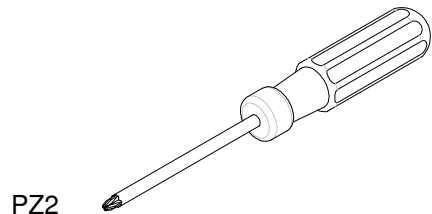
F2 x 12
(6201040)



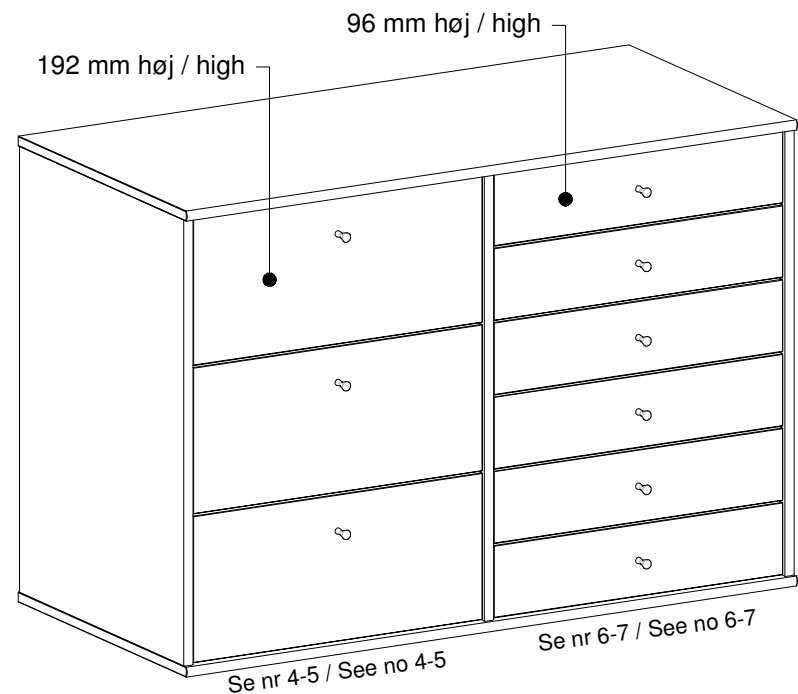
F3 x 24
(6704406)

(Skal kun anvendes i tilfælde af, at skufferne/skinnerne monteres i begge sider overfor hinanden).

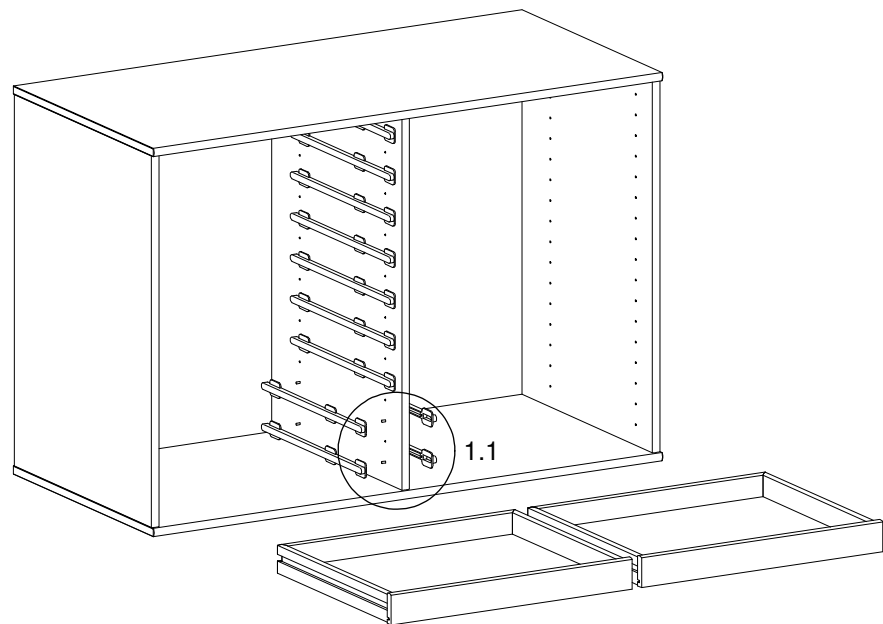
(Use only when drawers are mounted in both sides of the cabinet beside each other).



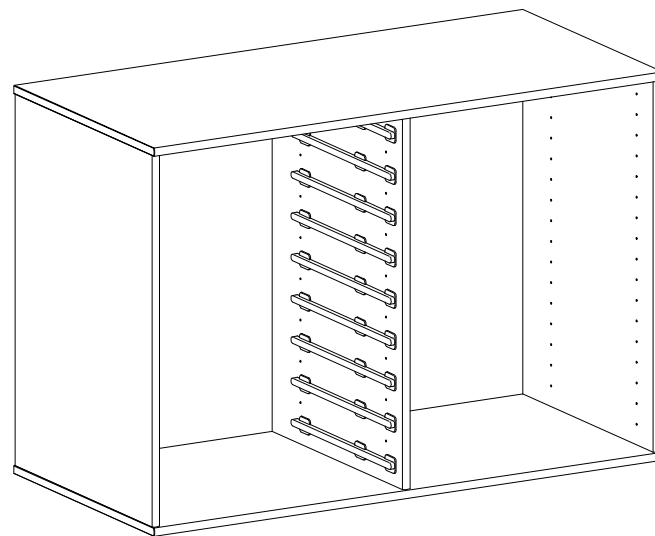
PZ2



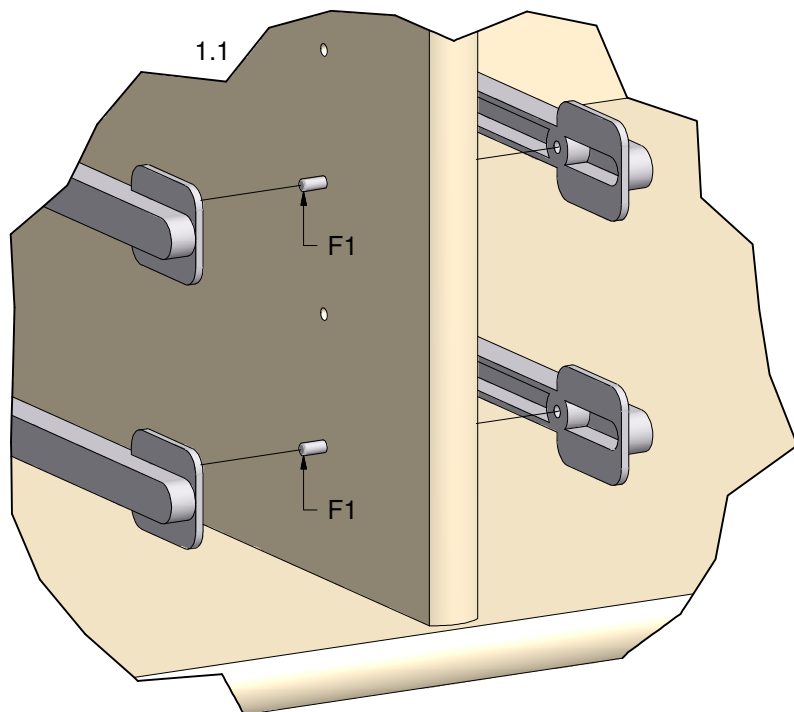
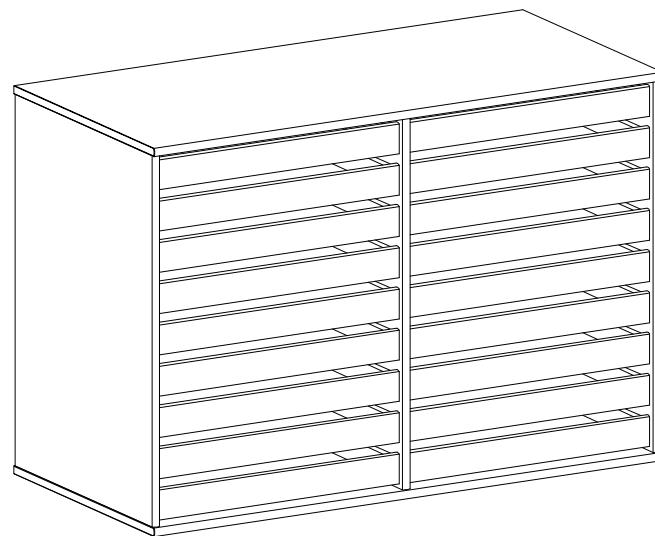
1



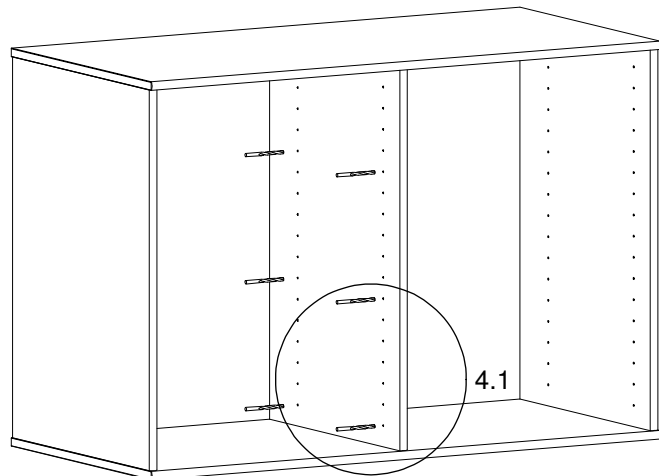
2



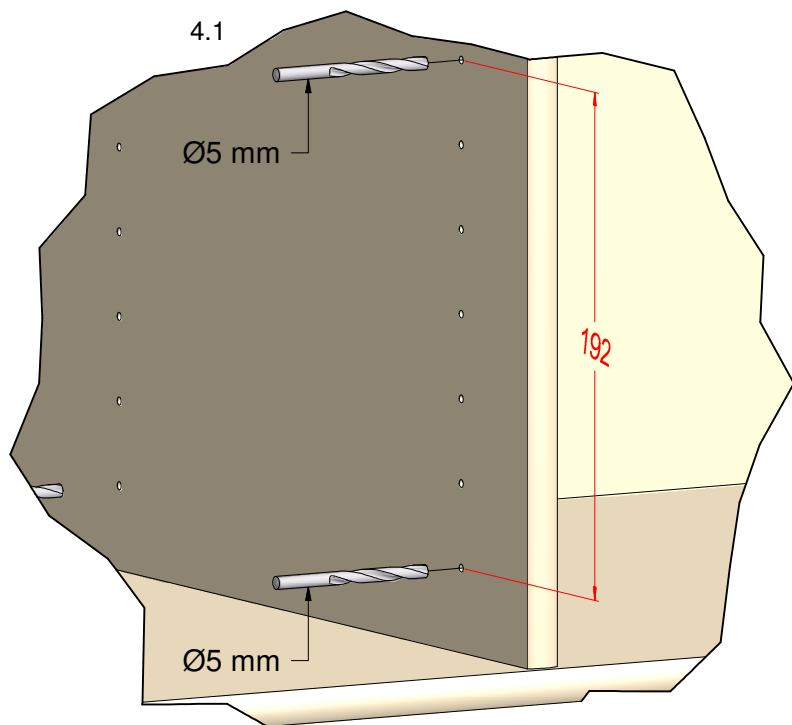
3



4

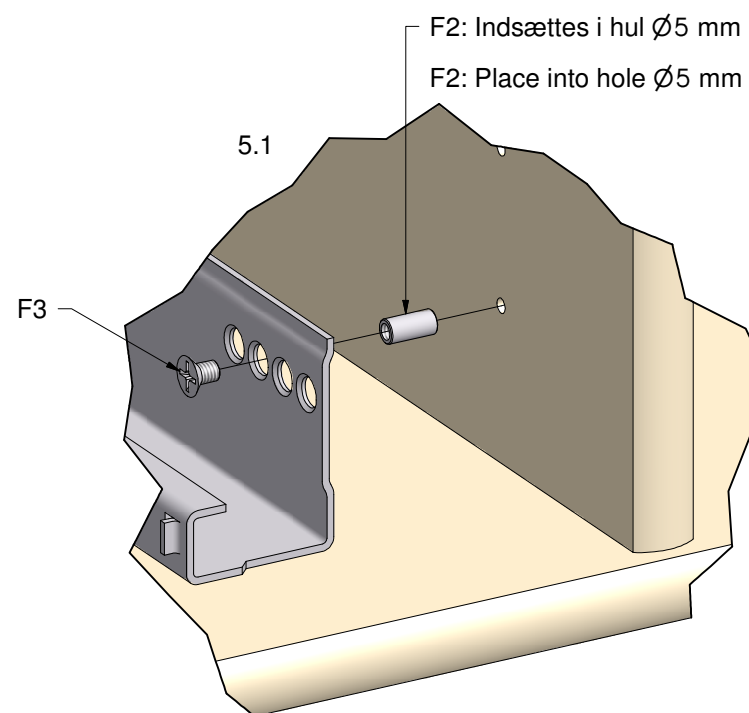
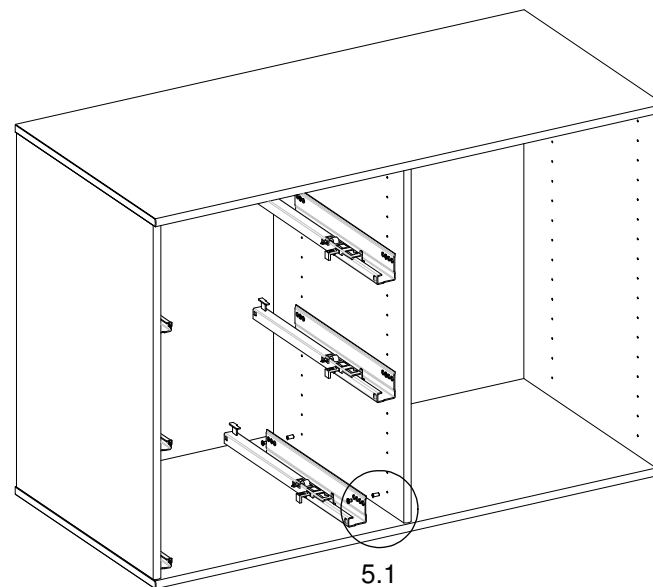


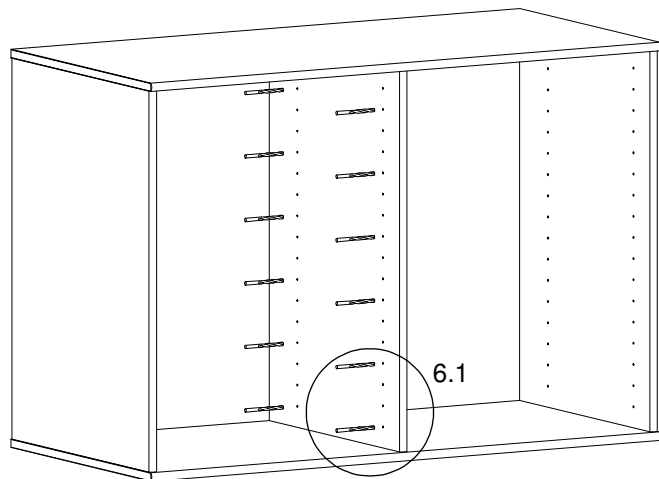
(Der bores kun igennem hvis skufferne skal sidde overfor hinanden).
 (Only drill thru if the drawers has to be placed beside each other).



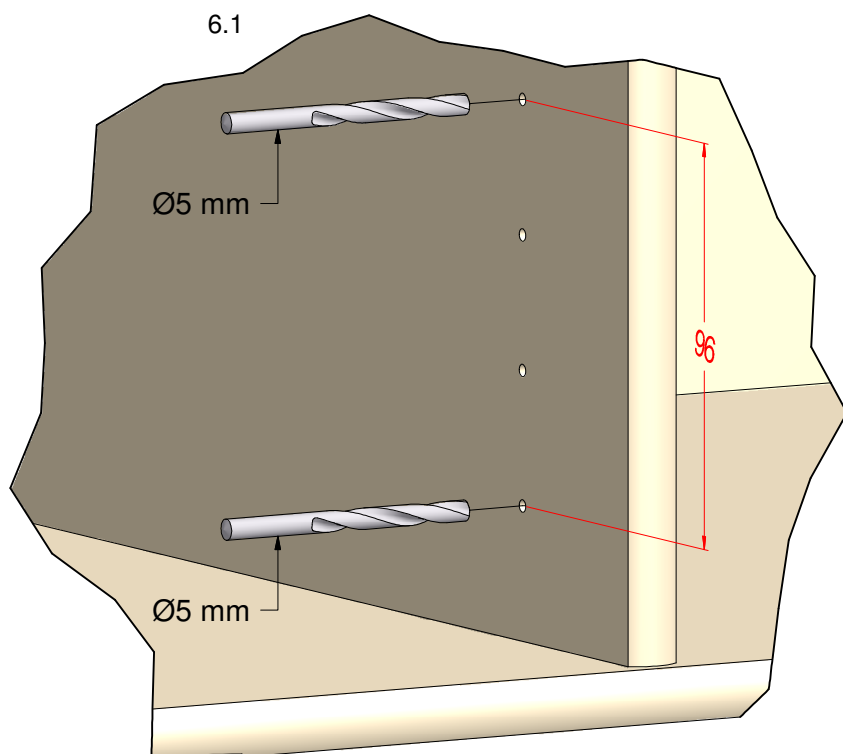
5

33002-E2-P3 /4



6

(Der bores kun igennem hvis skufferne skal sidde overfor hinanden).
 (Only drill thru if the drawers has to be placed beside each other).

**7**

33002-E2-P4 /4

