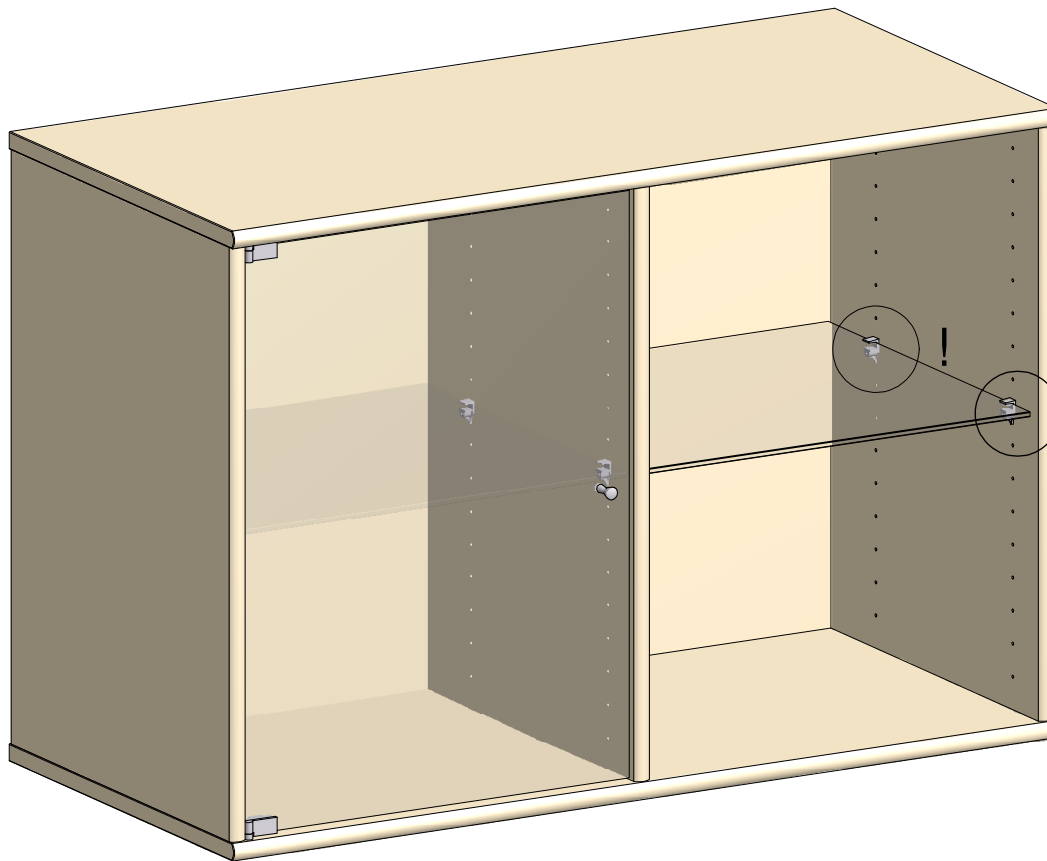
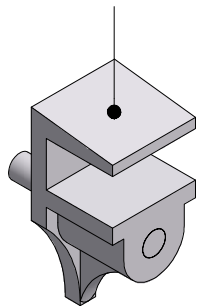


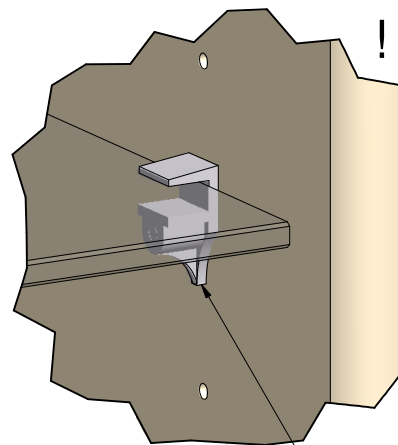
M31 #87, #88



OPEFTER!
UPWARDS!



F1 x 4
(6200033)



NEDEFTER!
DOWNWARDS!